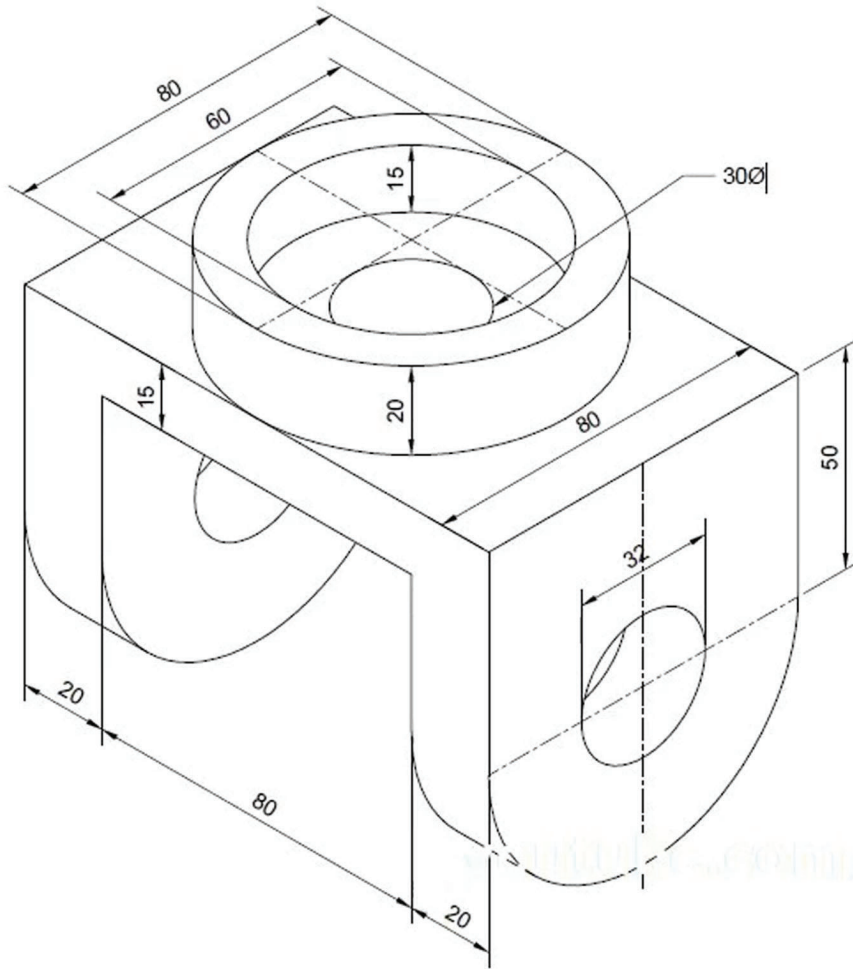


ME 475 CAD AND DRAFTING COURSE
HOMEWORK ASSIGNMENT

Week 1:

PART 1:



PART 2:

